

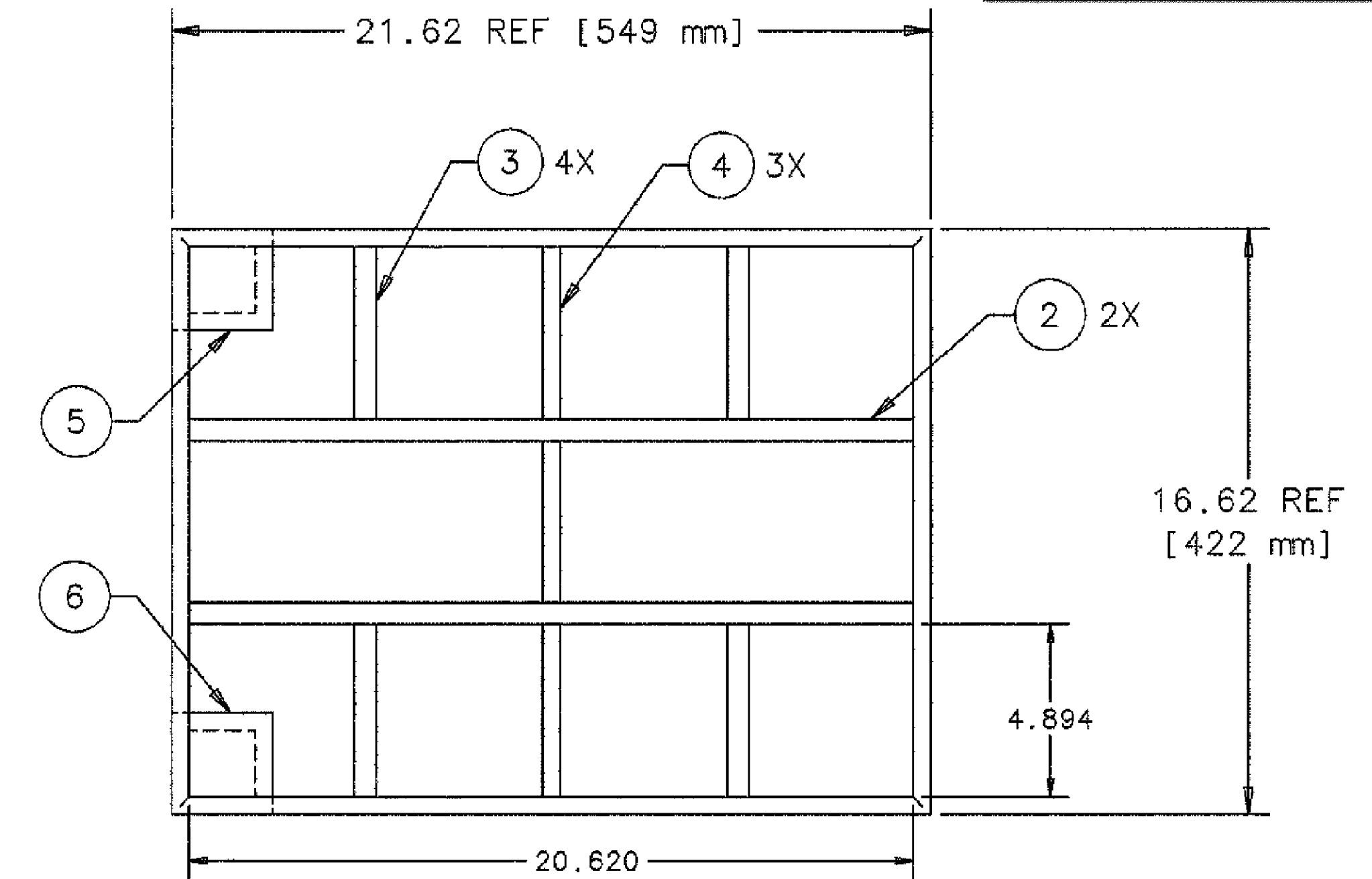
- NOTES:
 1.) OVERALL DIMENSIONS ARE NOMINAL, VENDOR TO FABRICATE DIVIDER SET FOR BEST FIT WITH A HARDIGG STORM CASE
 2.) THE COMPLETE DIVIDER SET TO BE MADE WITH A STITCHED CONSTRUCTION, 8-10 STITCHES/INCH, STYLE OF VENDORS OPTION, THREAD TO BE NYLON COLOR BLACK.

- 3. NYLON MATERIAL: WATER PROOF NYLON, 70 DENIAR, PVC COATED, COLOR BLACK.
- 4. PADDING MATERIAL: .15 THK POLYETHYLENE FOAM, 2 LBS PER CUBIC FT NOMINAL, 1.6-3.0 LBS PER CUBIC FT ACCEPTABLE, COLOR WHITE
- 5. STIFFENER MATERIAL: 1/16" THK POLYETHYLENE SHEET, COLOR BLACK
- 6. VELCRO LOOP MATERIAL: NYLON LOOP VELCRO #3800, COLOR BLACK
- 7. VELCRO HOOK MATERIAL: 3/4 WIDE NYLON HOOK VELCRO #65, COLOR BLACK

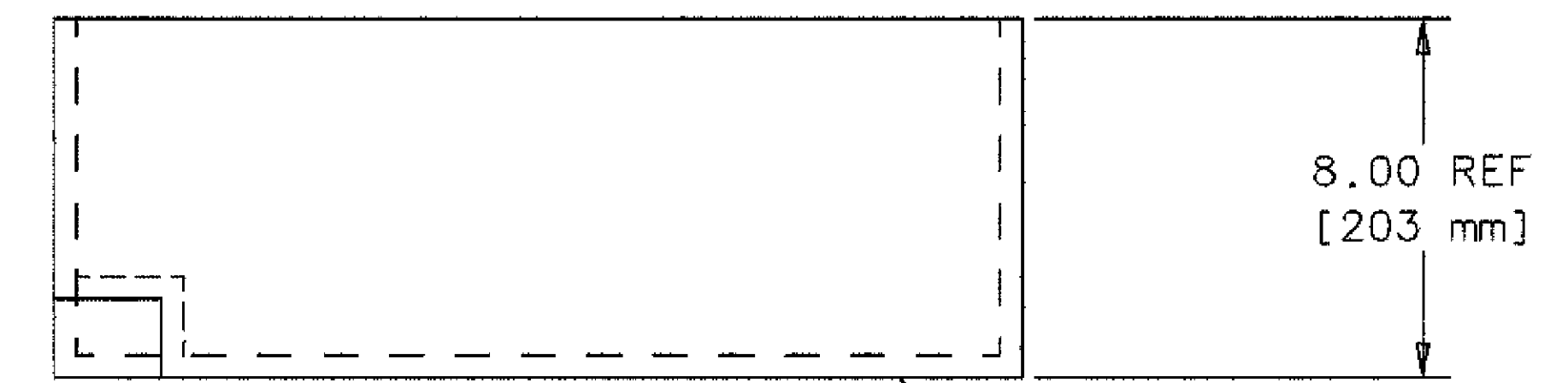
- 8.) THE UNASSEMBLED DIVIDER SET TO BE PACKAGED IN A 2 MIL THICK POLYETHYLENE BAG, WITH A "CHILDRENS WARNING" PRINTED ON IT AND BREATHER HOLES.
 9.) IF APPLICABLE MANUFACTURER TO PLACE COUNTRY OF ORIGIN LABEL.
 10.) POLYBAGGED PRODUCTS TO BE PACKAGED IN CARDBOARD SHIPPING BOX, WITH PART DESCRIPTION "IM2720/50 DIVIDER SET" CLEARLY MARKED.

11.) DIVIDER SET MUST COMPLY WITH THE EUROPEAN PARLIAMENT DIRECTIVE 2002/95/EC ON THE RESTRICTION OF THE USE OF CERTAIN HAZARDOUS SUBSTANCES (ROHS). THE DIVIDER SET (INCLUDING PLATING) MUST NOT CONTAIN THE FOLLOWING SUBSTANCES: LEAD, MERCURY, CADMIUM, HEXAVALENT CHROMIUM, POLY BROMINATED BIPHENYLS (PBBS) OR POLYBROMINATED DIPHENYL ESTERS (PBDE).

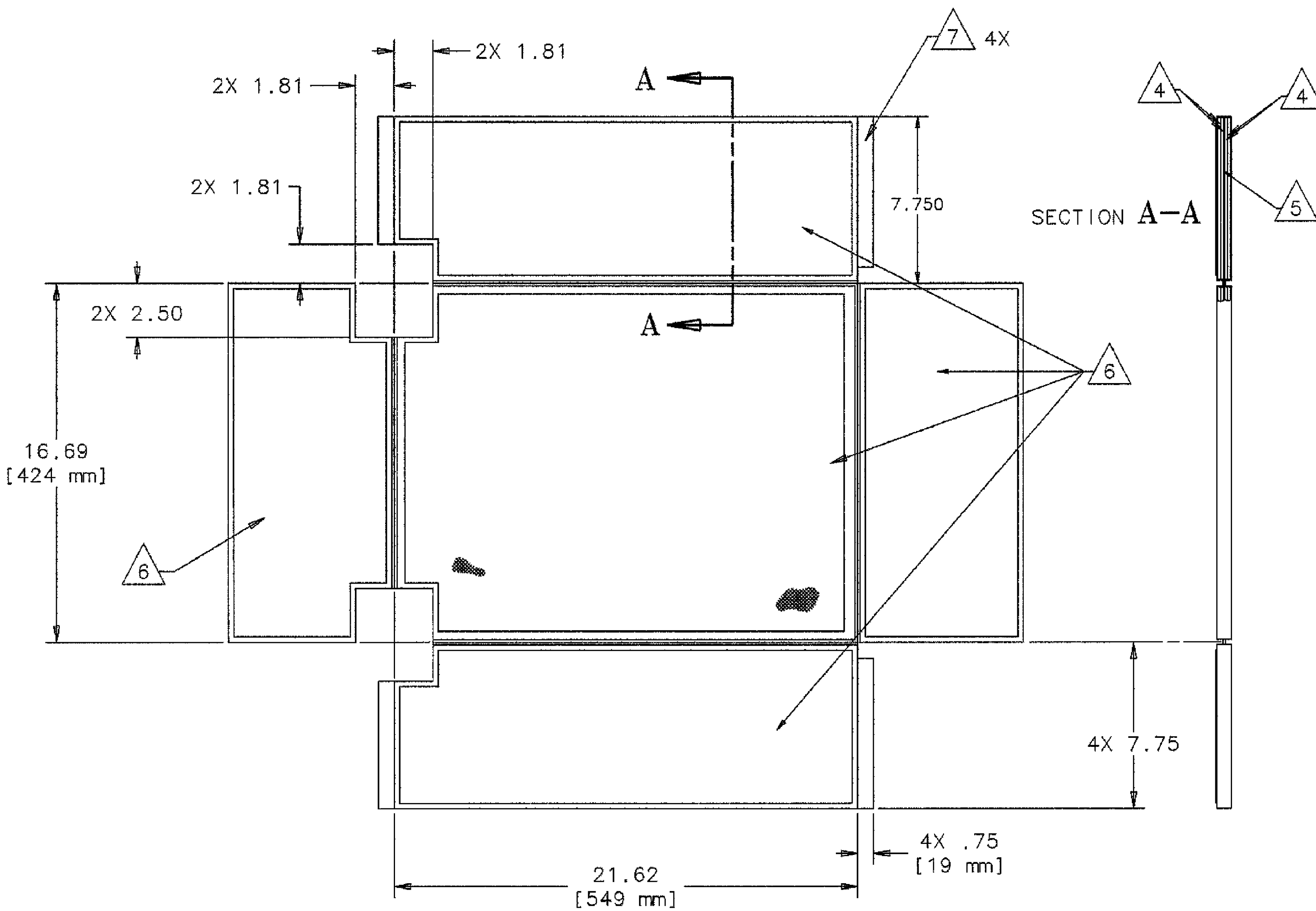
REV.	E.C.O.	DESCRIPTION	BY/DATE	APVD.
A	031417	A1-PADDING WAS .20 THK. A2-ADDED STIFFENER AND EXTRA PADDING TO LINER. A3-ADJUSTED DIM'S ON OTHER PARTS TO FIT LINER. A4-PACKAGING BAG WAS 1 MIL	RRA 9/16/03	MG 9/16/03
B	032479	ADDED NOTE #10	RRA 4/29/04	MG 4/30/04
C	033827	CHANGED P/N ON DETAIL ITEM NUMBER (4), WAS P111-127-6	RRA 2/24/05	<i>[Signature]</i> 2/25/05
D	038141	REMOVED PIN FROM NOTE 10 AND BELOW TITLE BLOCK. ADDED NOTE 11.	RMD 07-9-6	Theodore Lynds



TOP VIEW ASSEMBLED



FRONT VIEW ASSEMBLED

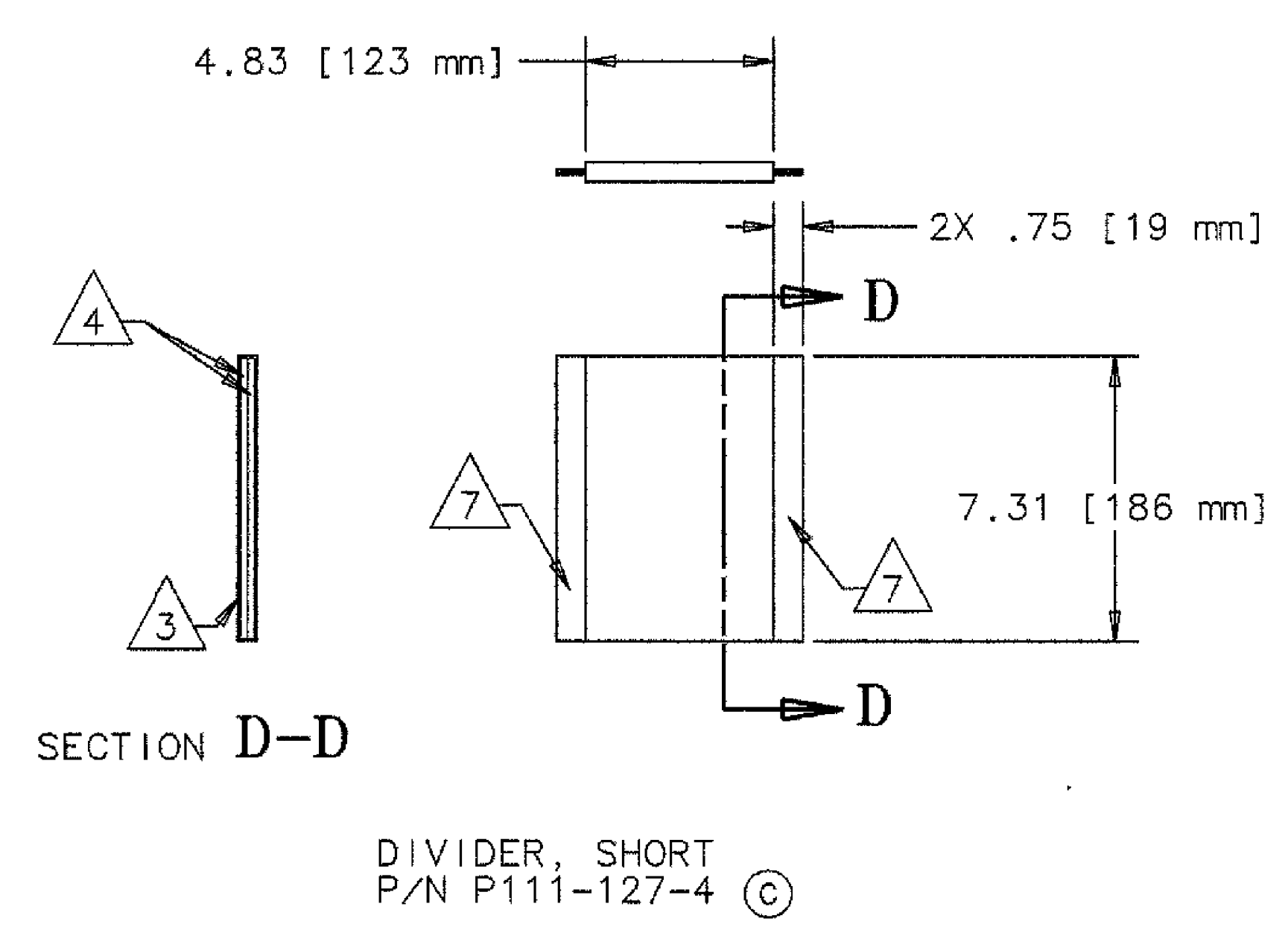
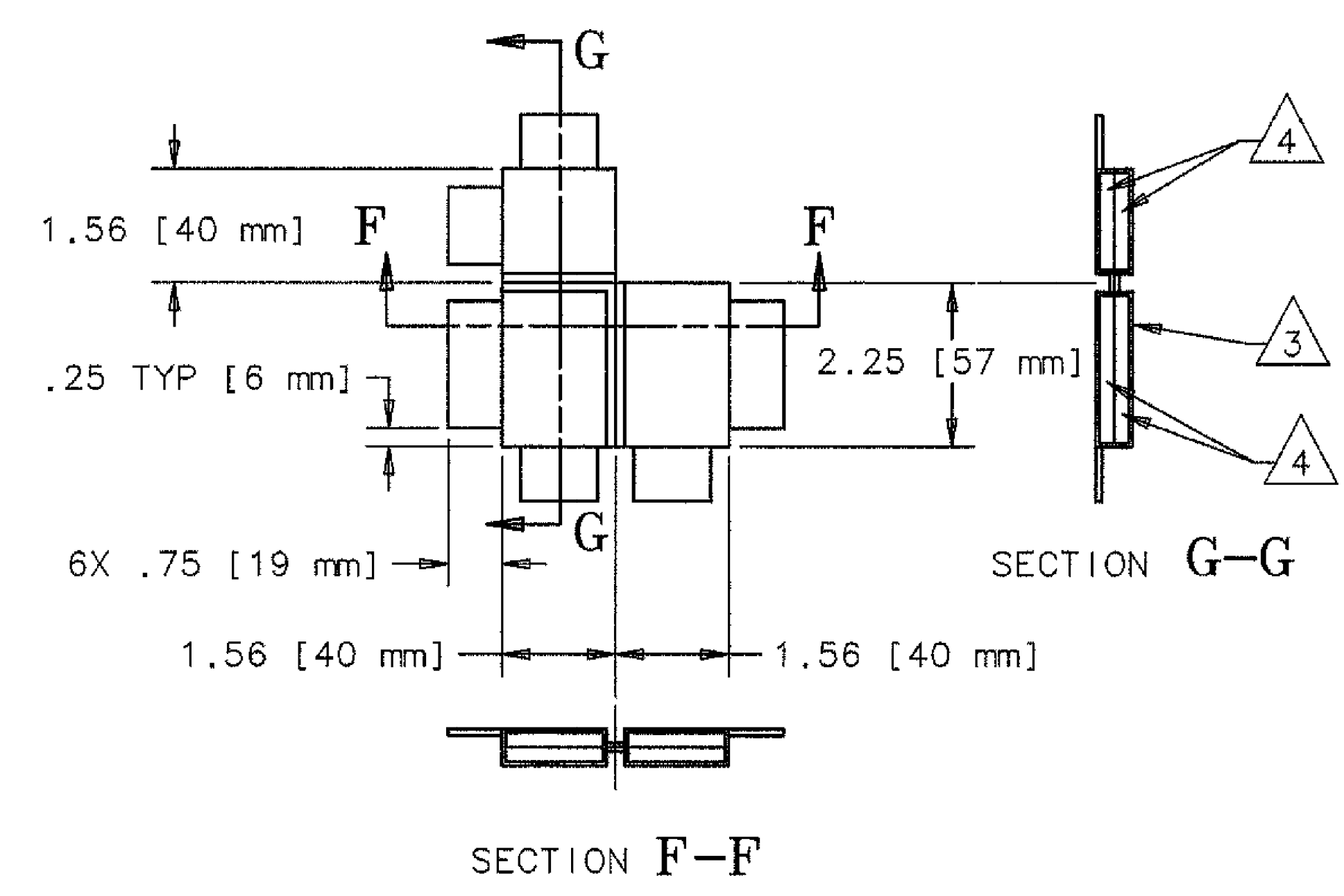
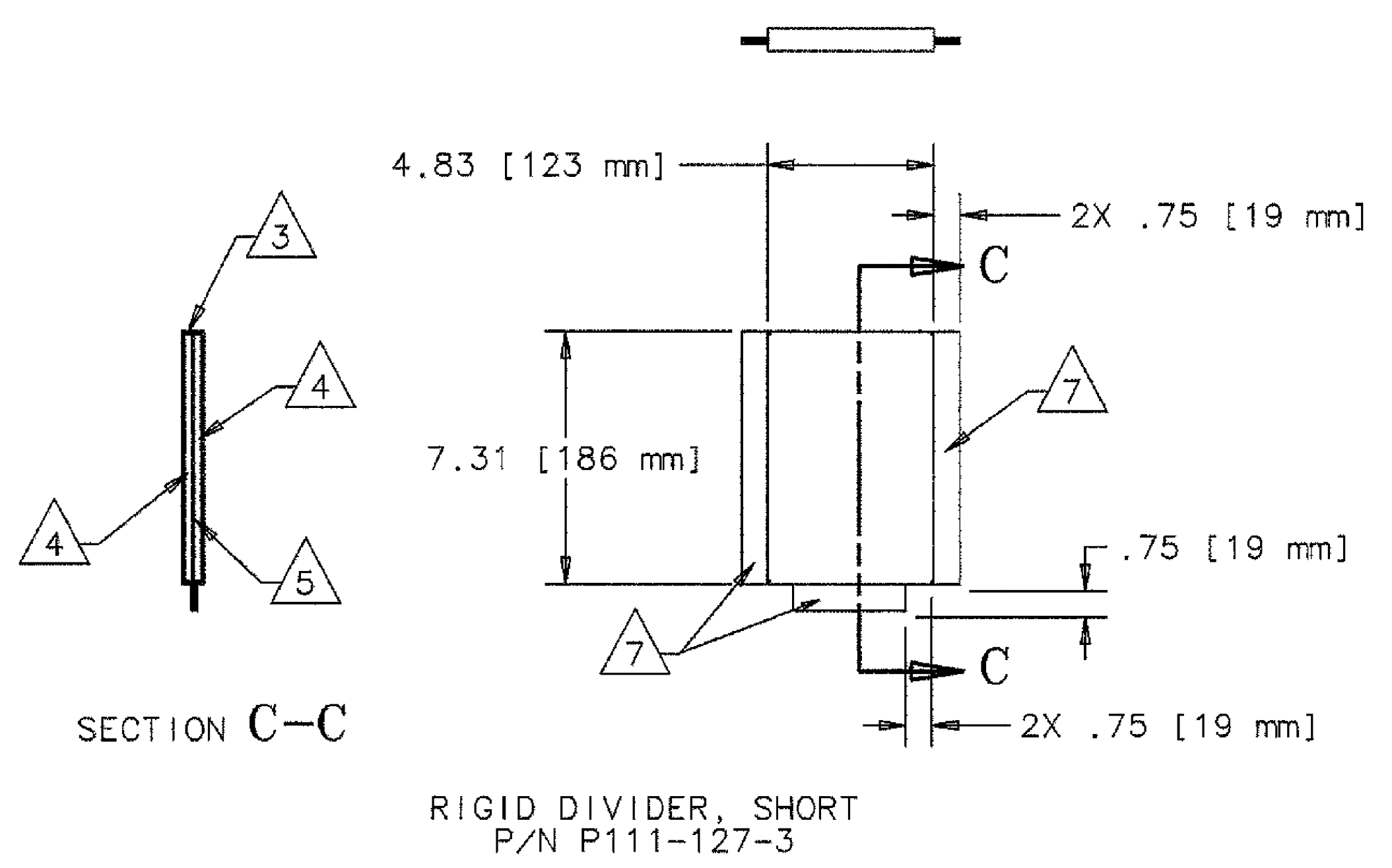
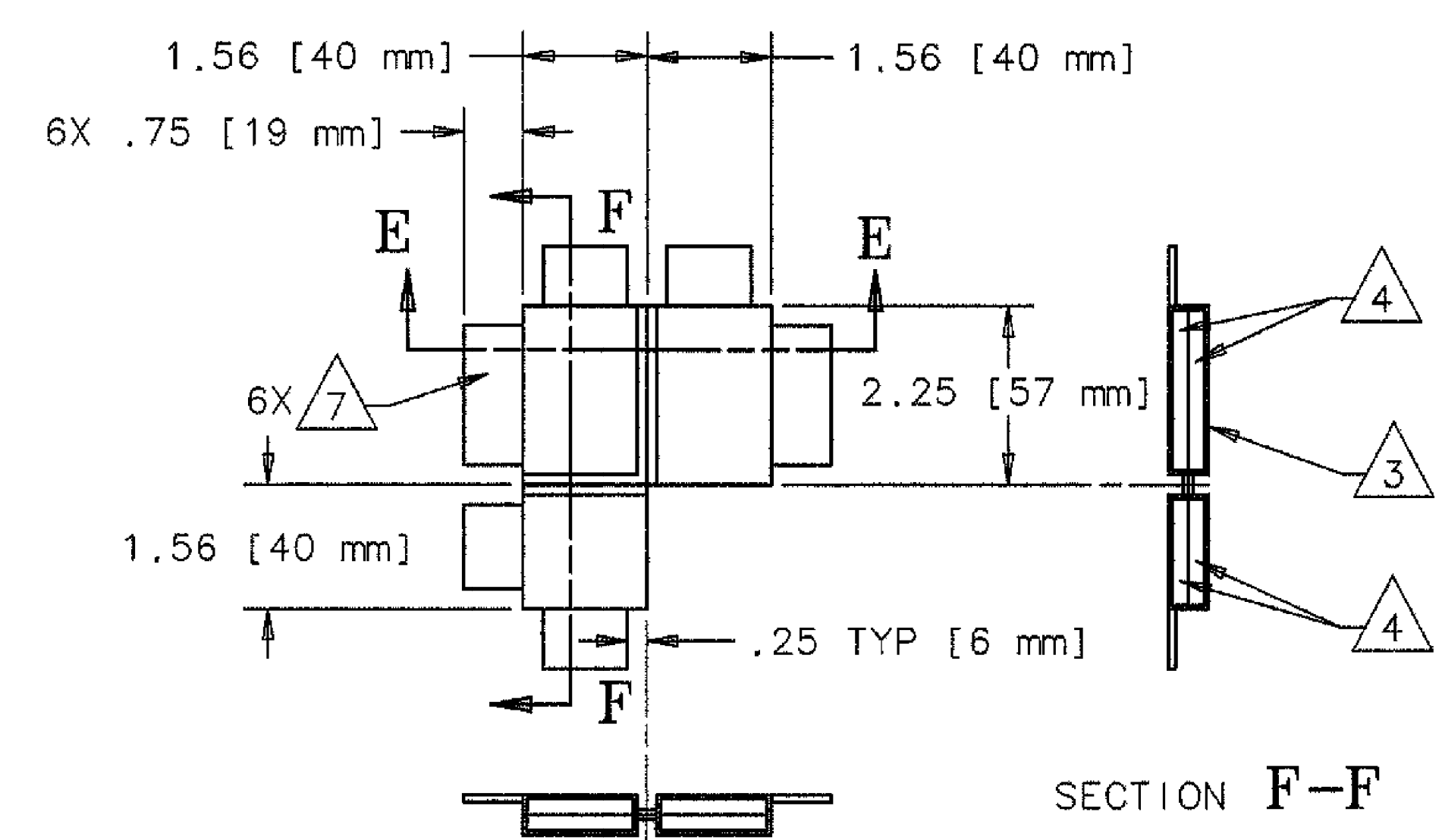
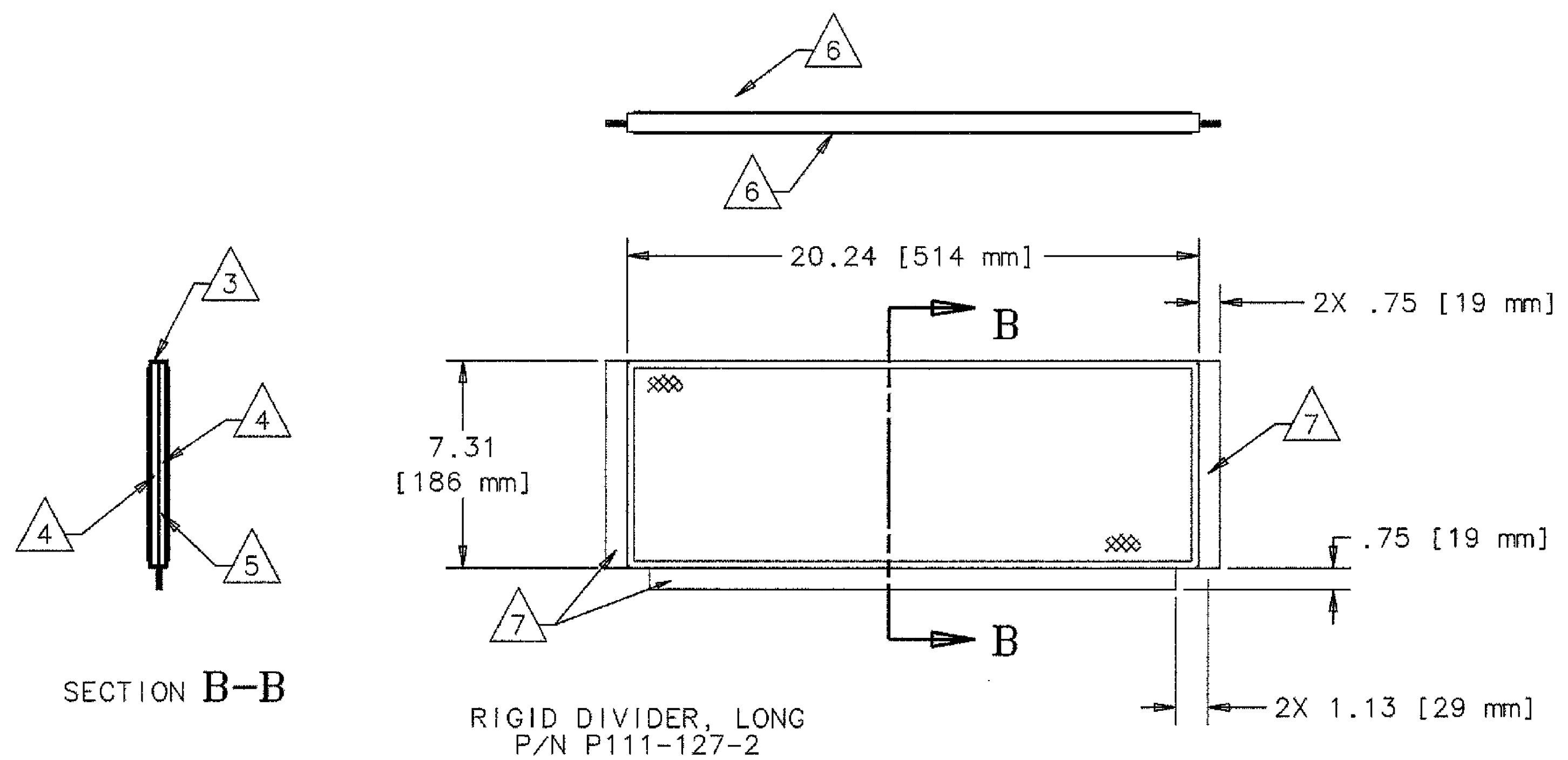


LINER
 DWG NO. P111-127-1

ECR PENDING
R026587
11/26/2007
C. GHIZ

ITEM NO	QTY	PART NO	DESCRIPTION	MATERIAL
6	1	P111-127-6	CORNER, FRONT	SEE NOTES 3, 4, & 7
5	1	P111-127-5	CORNER, REAR	SEE NOTES 3, 4, & 7
4	3	P111-127-4	DIVIDER	SEE NOTES 3, 4, 6, & 7
3	4	P111-127-3	RIGID DIVIDER, SHORT	SEE NOTES 3, 4, 5, 6, & 7
2	2	P111-127-2	RIGID DIVIDER, LG	SEE NOTES 3, 4, 5, 6, & 7
1	1	P111-127-1	LINER	SEE NOTES 3, 4, 6, & 7

PARTS LIST				
NEXT ASSY.				
TOLERANCE	UNLESS OTHERWISE SPECIFIED	.XX	.XXX	ANGLE
DR. APONTE	DATE 8/8/02	ENGR.	DATE	
CHKD.	DATE	APVD.	DATE	
This drawing and all copies and the design and data shown are the property of HARDIGG INDUSTRIES, INC. So, Dearfield, MA U.S.A. and include proprietary information. The borrower by receipt or retention of the drawing agrees that, except as expressly authorized in writing by HARDIGG INDUSTRIES, INC. it will (1) not use the drawing or any copy of the design or data shown (2) not reproduce, copy, excerpt, exhibit or distribute the drawing or any copy for use by others and (3) upon demand return the drawing, all copies and all material copied therefrom.				
TITLE		HARDIGG TM HARDIGG INDUSTRIES, INC. SOUTH DEERFIELD, MASSACHUSETTS 01375		
DIVIDER SET, im2720/2750		SIZE D	CAGE 11214	DWG. NO. P111-127
SCALE 1/4		DESIGN NO. P111		



NEXT ASSY.		TOLERANCE UNLESS OTHERWISE SPECIFIED		XX ±.09	XXX ±.003	ANGLE
DR. APONTE	DATE 9/12/02	ENGR.	DATE	HARDIGG INDUSTRIES, INC. SOUTH DEERFIELD, MASSACHUSETTS 01373		
CHKD.	DATE	APVD.	DATE	TITLE DIVIDER SET iM2720/2750		
This drawing and all copies and the design and data shown are the property of HARDIGG INDUSTRIES, INC., So. Deerfield, MA U.S.A. and include proprietary information. The borrower by receipt or retention of the drawing agrees that, except as expressly authorized in writing by HARDIGG INDUSTRIES, INC., it will (1) not use the drawing or any copy of the design or data shown (2) not reproduce, copy, except, exhibit or distribute the drawing or any copy for use by others and (3) upon demand return the drawing, all copies and all material copied therefrom.				SIZE D	CAGE 11214	DWG. NO. P111-127
SCALE 1/4				DESIGN NO.	P111	REV. D