

NOTES:

- 1.) FABRICATE PHOTOGRAPHY PALLET AS SHOWN.
- 2.) THE COMPLETE ASSY TO BE MADE WITH A STITCHED CONSTRUCTION 8-10 STITCHES/INCH. STYLE OF VENDORS OPTION.
- 3.) NYLON MATERIAL: 70 DENIAR, PVC COATED, COLOR BLACK.
- 4.) ALL MATERIAL TO BE WATERPROOF

5) BIND ALL OUTSIDE EDGES AND THE INDIVIDUAL COMPARTMENTS TO BASE.

6) BASE: 1/8 THK PLASTIC CORRUGATED SHEET COVERED WITH NYLON FABRIC.

7) STITCH VELCRO LOOP 1" WIDE TO BACK AS SHOWN

8) STICED POCKETS TO BE PLEATED. EACH POCKET TO HOLD ONE MEDIUM SIZE PEN.

9.) MESH MATERIAL: HARDIGG ENG DEPT TO APPROVE OF FINAL MATERIAL.

10) CARD HOLDER: BINDED AREA TO HOLD 2.50 X 3.75 CARDS.

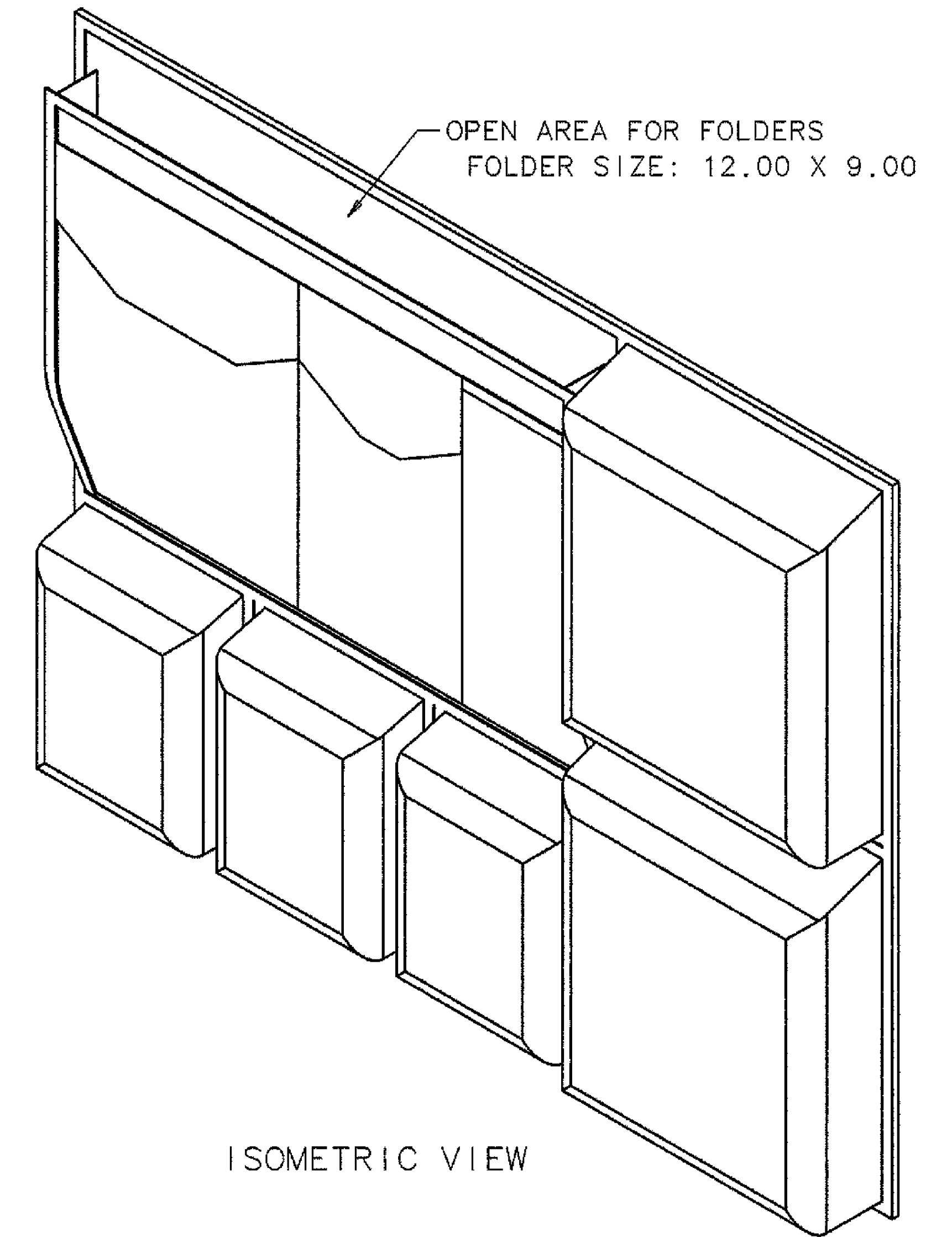
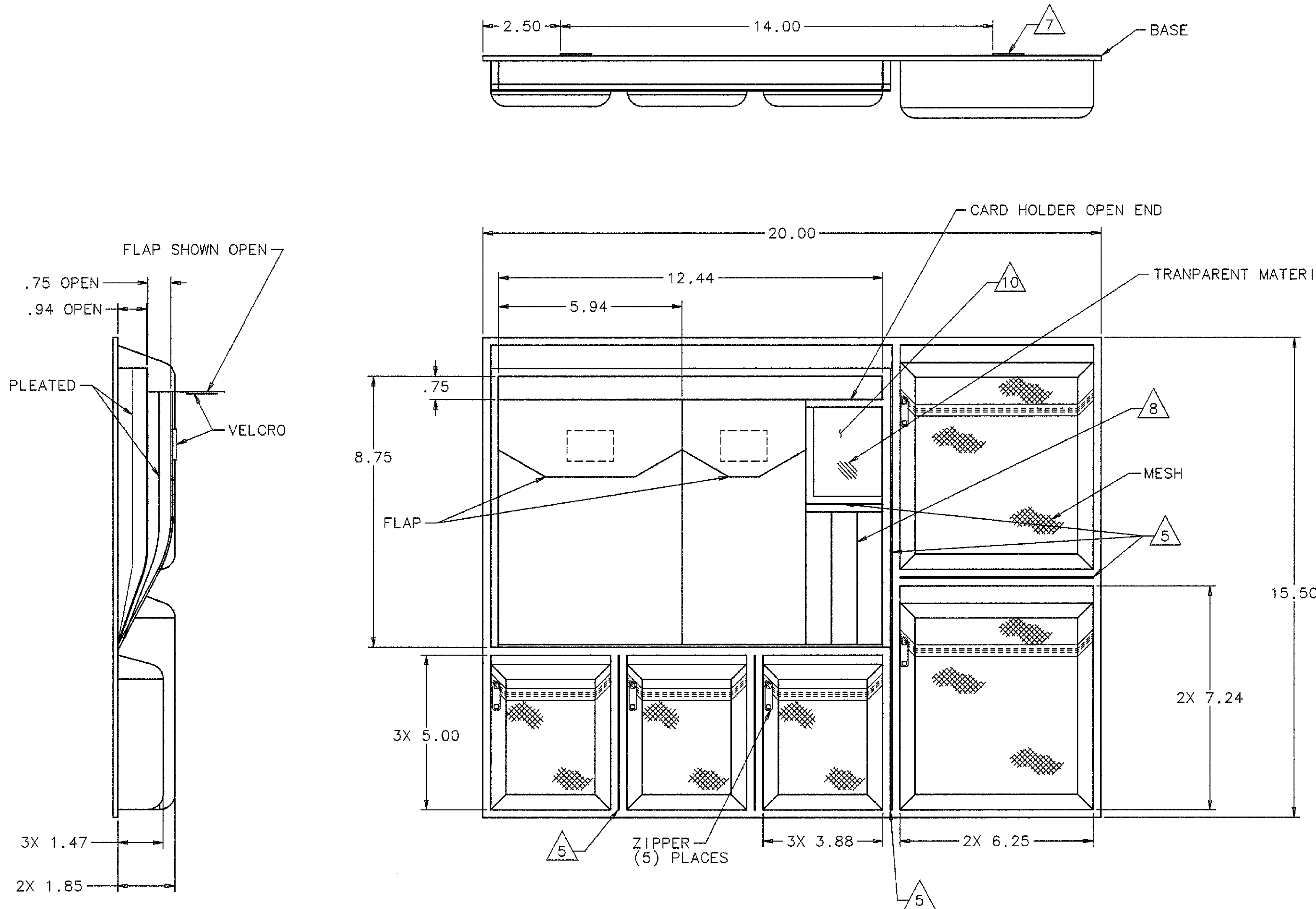
11.) PHOTOGRAPHY PALLET TO BE PACKAGED IN A 2 MIL POLYETHYLENE BAG, WITH A "CHILDRENS WARNING" PRINTED ON IT AND BREATHER HOLES.

12.) IF APPLICABLE MANUFACTURER TO PLACE COUNTRY OF ORIGIN LABEL ON PRODUCT.

13.) POLYBAGGED PRODUCTS TO BE PACKAGED IN CARDBOARD SHIPPING BOX, WITH PART DESCRIPTION "IM2700 PHOTOGRAPHY PALLET" CLEARLY MARKED.

14.) PHOTOGRAPHY PALLET MUST COMPLY WITH THE EUROPEAN PARLIAMENT DIRECTIVE 2002/95/EC ON THE RESTRICTION OF THE USE OF CERTAIN HAZARDOUS SUBSTANCES (ROHS). THE PHOTOGRAPHY PALLET (INCLUDING PLATING) MUST NOT CONTAIN THE FOLLOWING SUBSTANCES: LEAD, MERCURY, CADMIUM, HEXAVALENT CHROMIUM, POLY BROMINATED BIPHENYLS (PBB) OR POLYBROMINATED DIPHENYL ESTERS (PBDE).

REV.	E.C.O.	DESCRIPTION	BY/DATE	APVD.
A	033841	CARD SIZE WAS 2.00 X 3.50 BINDED ALL POCKETS/COMPARTMENTS TO BASE	RRA 3/1/05	<i>[Signature]</i>
B	038168	REMOVED P/N FROM NOTE 13 AND BELOW TITLE BLOCK. ADDED NOTE 14.	RMD 07-9-7	



NEXT ASSY.		UNLESS OTHERWISE SPECIFIED		XX	XXX	ANGLE
TOLERANCE	DATE	ENGR.	DATE			
DR. APONTE	11/24/03	ENGR. APONTE	11/24/03			
CHKD.	DATE	APVD.	DATE			
<small>This drawing and all copies and the design and data shown are the property of HARDIGG INDUSTRIES, INC. So, Deerfield, MA U.S.A. and include proprietary information. The borrower by receipt or retention of the drawing agrees that, except as expressly authorized in writing by HARDIGG INDUSTRIES, INC. it will (1) not use the drawing or any copy of the design or data shown (2) not reproduce, copy, escarp, exhibit or distribute the drawing or any copy for use by others and (3) upon demand return the drawing, all copies and all material copied therefrom.</small>						
TITLE		HARDIGG INDUSTRIES, INC.		SOUTH DEERFIELD, MASSACHUSETTS 01373		
PHOTOGRAPHY PALLET		IM2700		SIZE	CAGE	DWG. NO.
D		11214		P111-167		
SCALE 1/2		DESIGN NO. P111		REV.	B	