

FIGURE 1

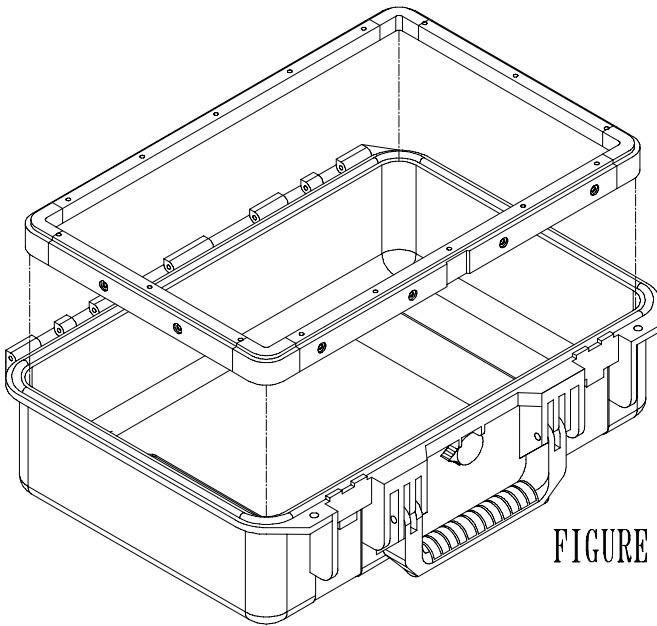


FIGURE 2

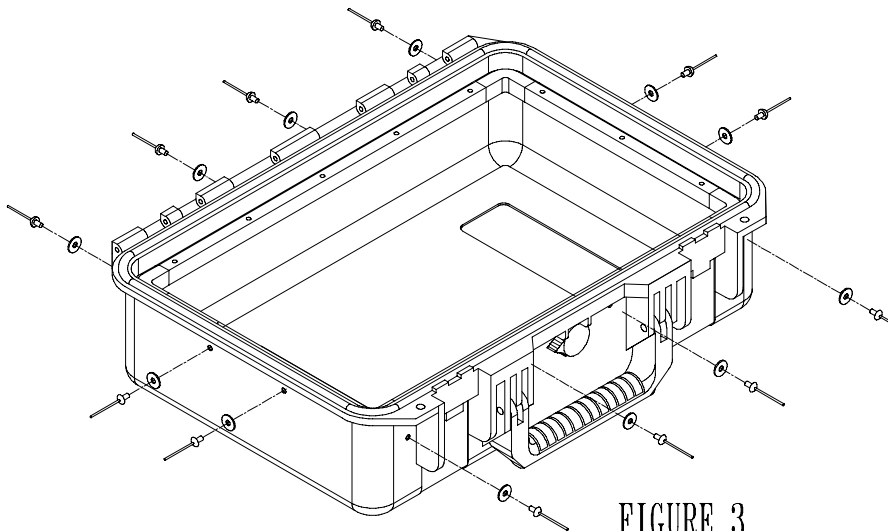


FIGURE 3

### BEZEL KIT OPTION INSTALLATION INSTRUCTIONS

- Assemble the bezel by sliding the corner pieces into the ends of the rail.
- Set the bezel frame into the case as shown.
- Use small blocks (that can be removed after installation) or clamps to hold the frame at the desired height. Be sure not to block any of the rivet holes.
- Adjust the rails and corner pieces so that all pieces fit snugly against the interior sides of the case. A gap between the mating surfaces of the corner pieces and rails is normal, and will vary depending on the depth the bezel frame is installed at. For each rail, be sure that the gaps between it and either corner piece are equal. This will ensure that each rail is properly centered within the case, and will help ensure that your bezel plate will install properly.
- Using the rivet holes in the frame as a guide, drill holes through the case wall from the inside, using a right-angle drill with a 4.9 mm drill bit.
- Assemble the rivets and watertight washers. Be sure that the washer goes over the large end of the rivet, with the rubber surface facing away from the thin, mandrel end of the rivet.
- Push rivets and watertight washers into the case as shown. Be sure that the rubber surface of the washer is against the outside of the case.
- Use a standard rivet gun to fasten the rivets and washers to the case.
- Remove blocks and/or clamps.
- Place gasket into the groove along the top of the bezel frame.
- Assemble the plate to the bezel frame using M4 threaded screws.